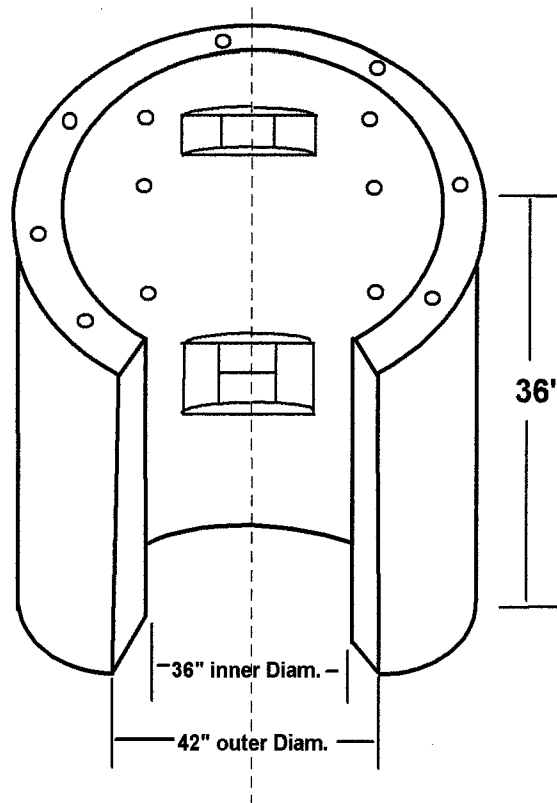


Atlas Concrete Products
1-800-774-1112

H-20 Handhole



Notes

Meets State and Local Specifications

**Concrete Compressive Strength
4,000 PSI @ 28 Days**

**Meets All Provisions of
Northeast United Illuminating**