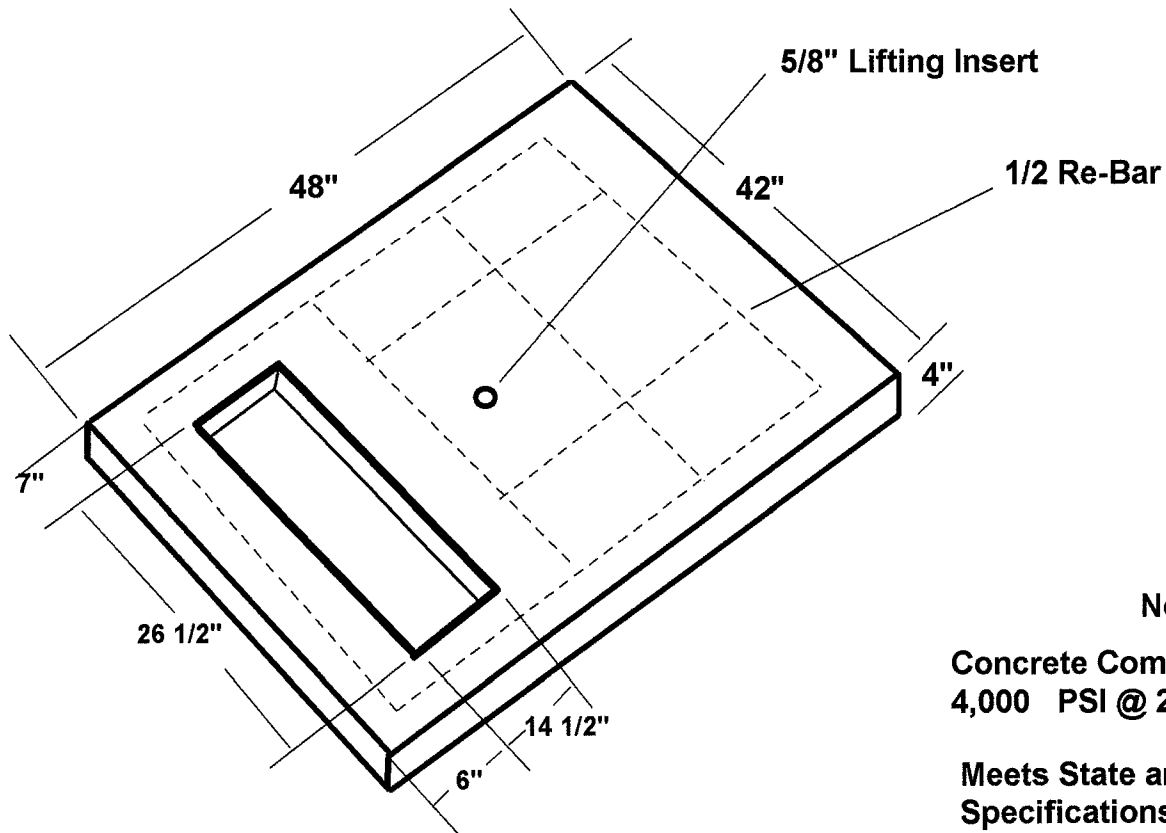


Atlas Concrete Products
1-800-774-1112

P-009
Electrial Transformer pad



Notes

**Concrete Compressive Strength
4,000 PSI @ 28 days**

**Meets State and Local
Specifications**

**Meets All Provisions of
Northeast United Illuminating**