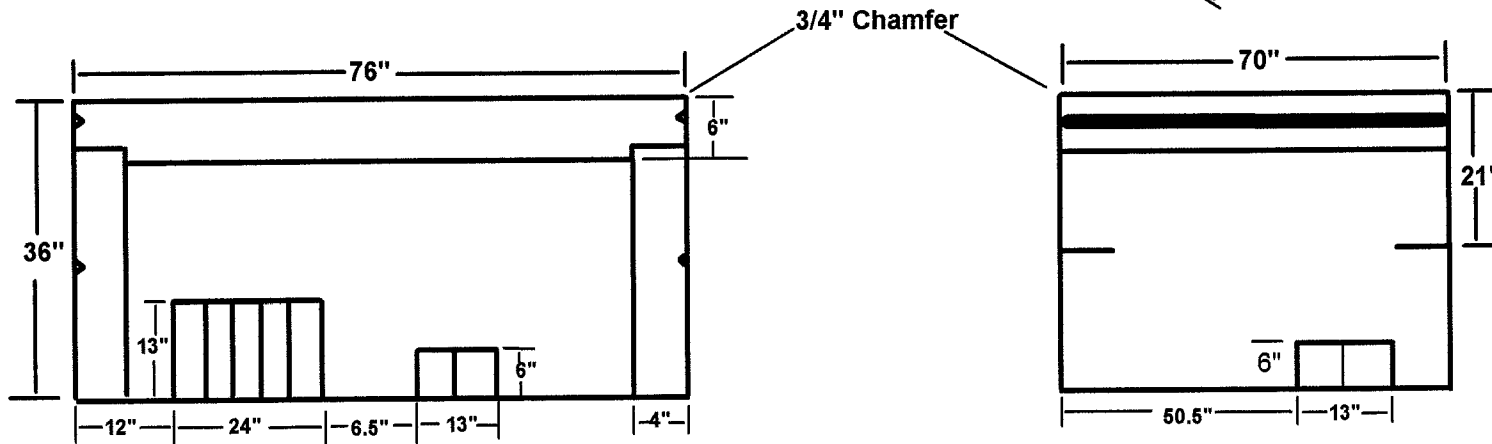
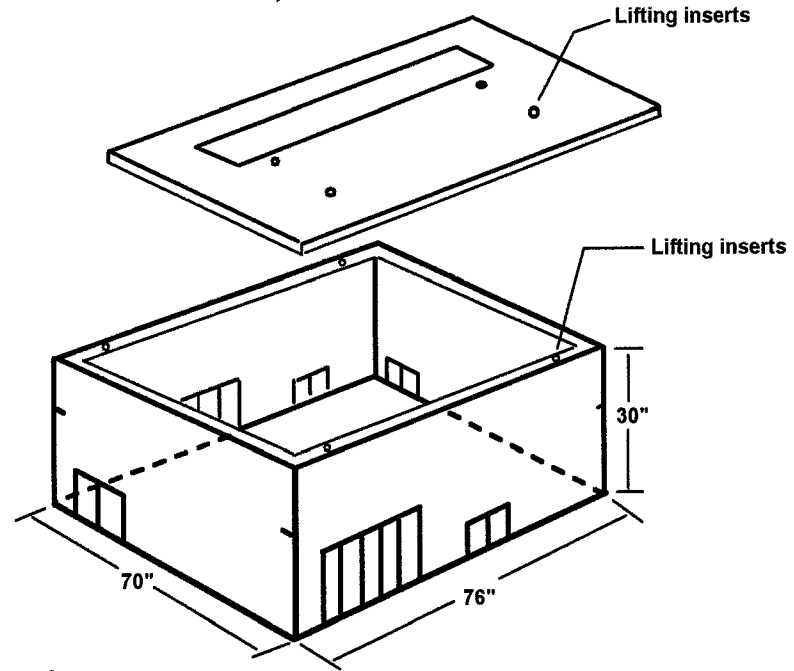
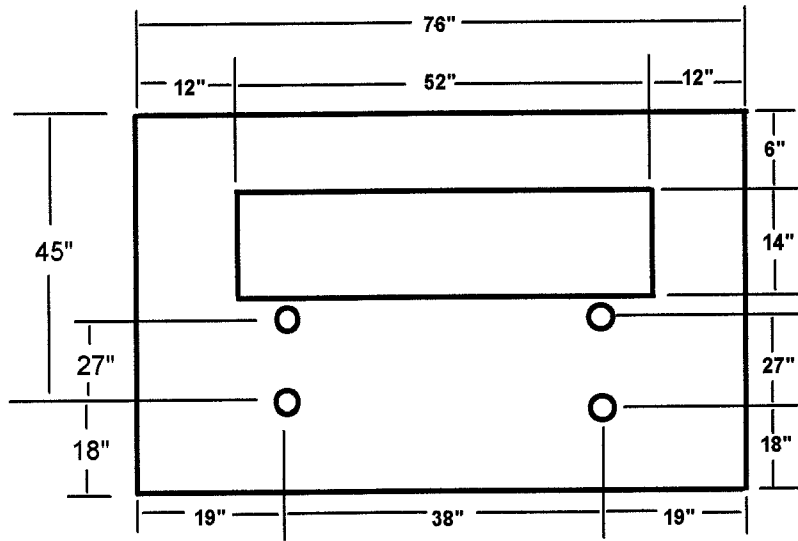


**Atlas Concrete Products**  
**1-800-774-1112**

**P-15**  
**Electrial Transformer Pad 3 Phase**  
**500 - 2,500 KVA**



Notes  
 Concrete Compressive Strength 4,000 PSI @ 28 Dayes  
 Meets all Provisions of Northeast Utilities Service Company DWG. NO.P-15  
 Weight: Cover 2,2231 Lbs Box 2,683 Lbs