

Atlas Concrete Products
1-800-774-1112

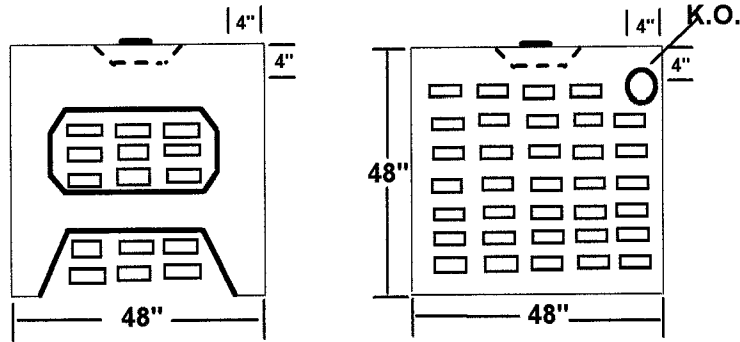
Leaching Galley

4' x 4' x 4'

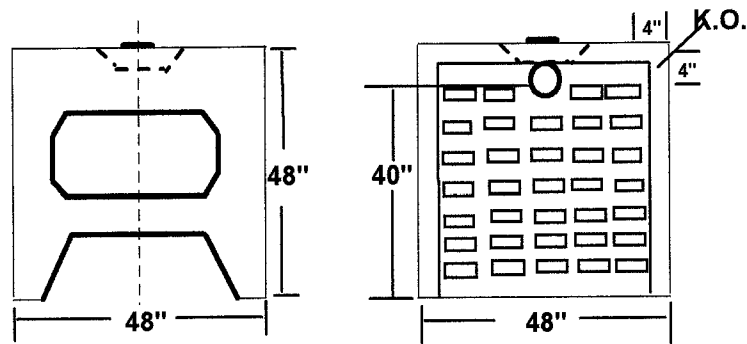
Special Notes

SF/LF **4.6**
Total SQ. FT. **18.4**
Weight **2,200**

Meets State and Local Specifications
Concrete Compressive Strength: 4,000 PSI@ 28 Days
Reinforcing 6x 6 x10Ga Mesh



End Section



Center Sections

