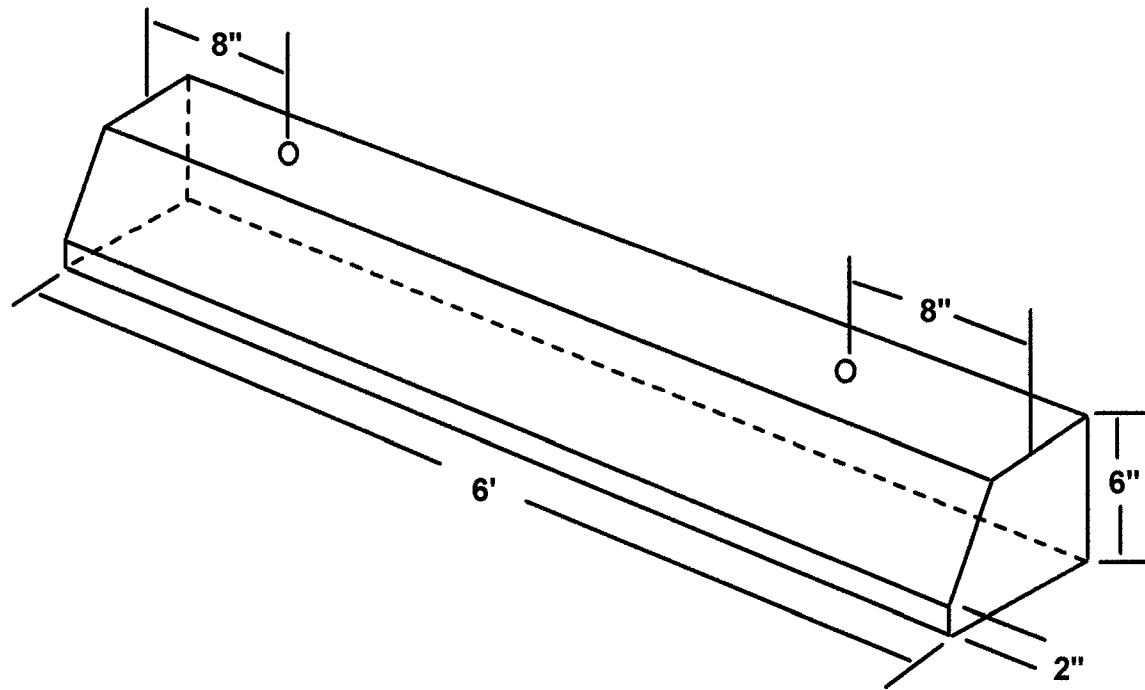


Atlas Concrete Products
1-800-774-1112

Parking Curb with 3/4" D Holes



Notes

Concrete Compressive Strength
4,000 PSI @ 28 days

Weight 275 Lbs