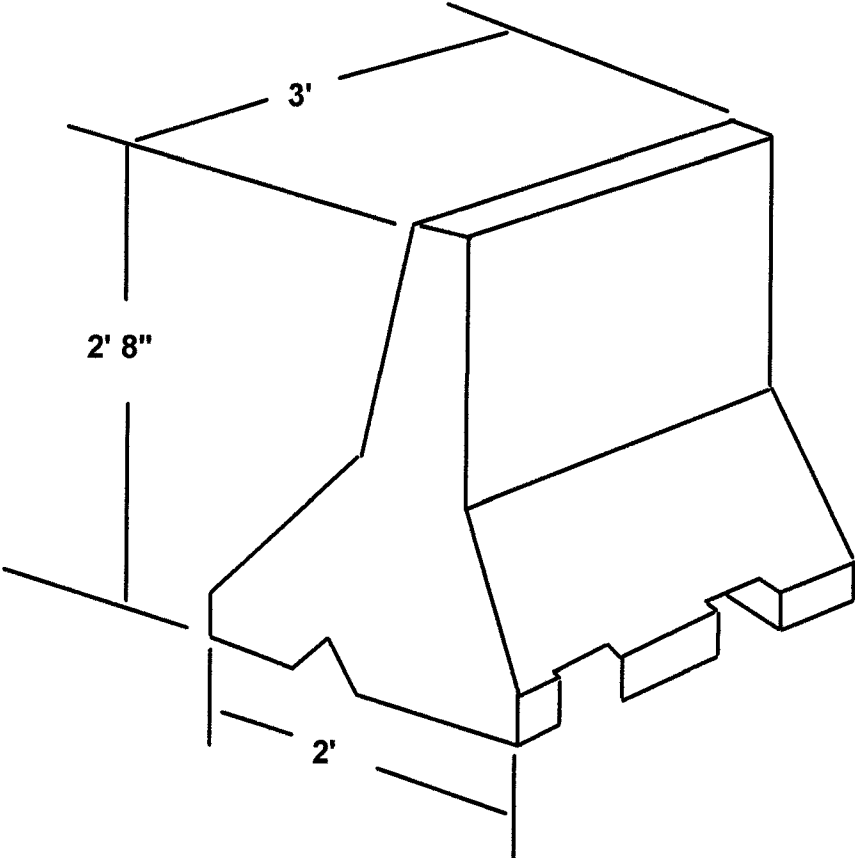


**Atlas Concrete Products**  
**1-800-774-1112**

**Road Divider 3 Feet**



**Notes**

**Concrete Compressive Strength**  
**4,000 PSI @ 28 days**

**Weight 1000 Lbs**