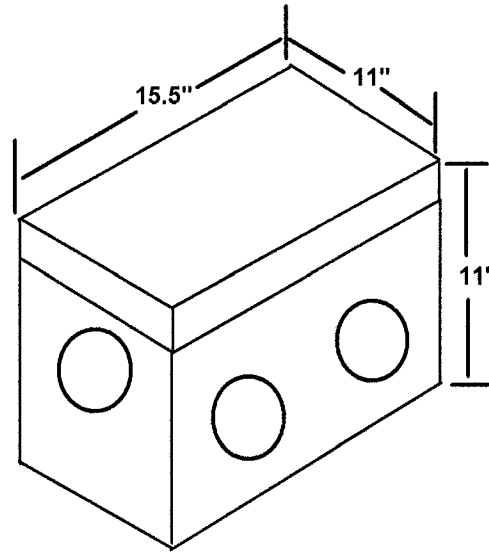


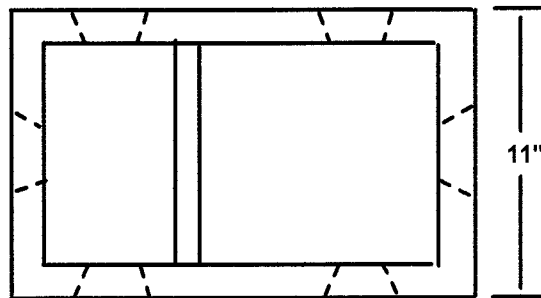
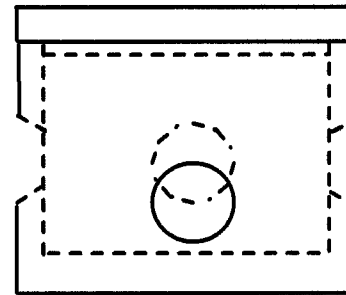
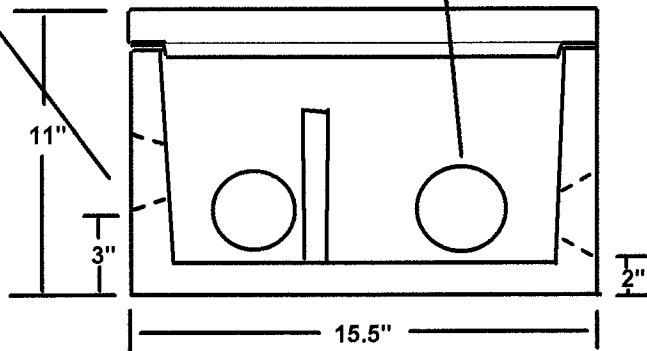
Atlas Concrete Products
1-800-774-1112

Distributor Box Baffle



1 inlet

5 outlet



General Notes

**Concrete Compressive
Strength 4,000 PSI @ 28 days**

**Meets State and Local
Specifications**

Baffle D Box Also Available

**All inlet and outlets are sealed
with Polylock pipe seal**