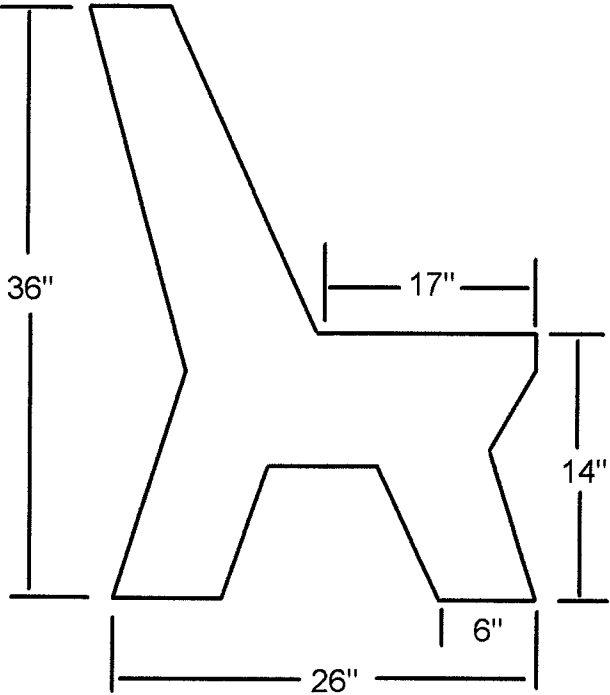
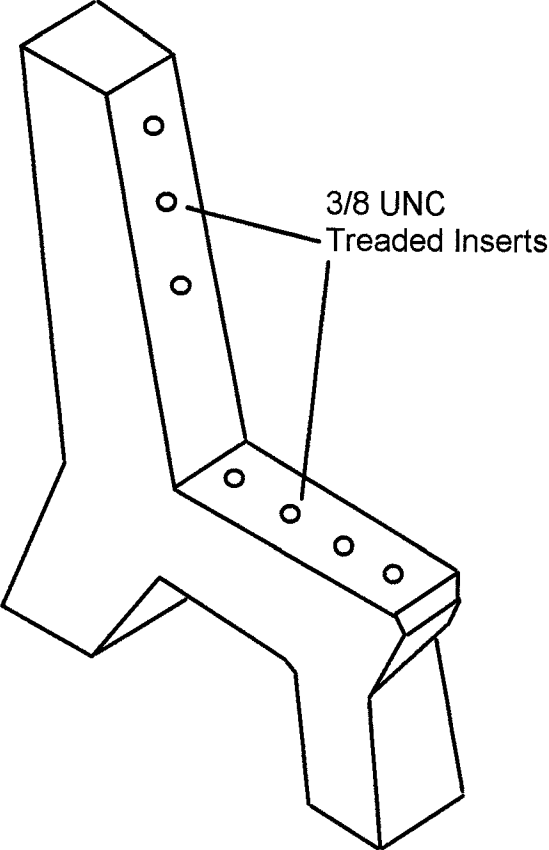


Atlas Concrete Products
1-800-774-1112

Bench End



Notes

Concrete Compressive Strength
4,000 PSI @ 28 days

Weight 150 Lbs