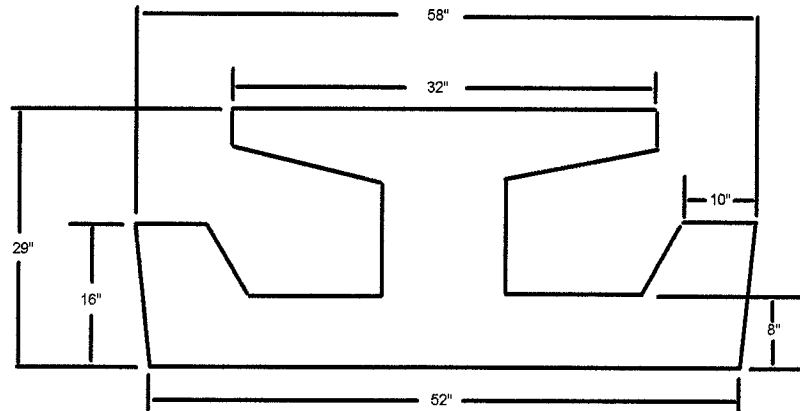
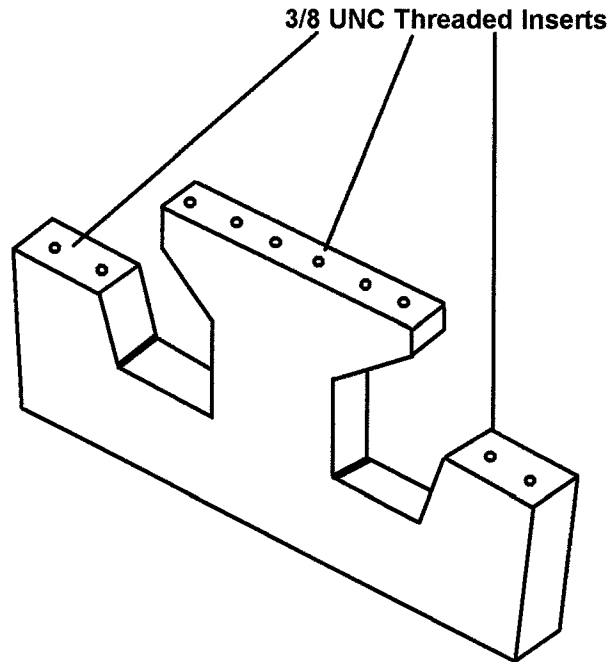


**Atlas Concrete Products**  
**1-800-774-1112**

**Table End**



**Notes**

**Concrete Compressive Strength**  
**4,000 PSI @ 28 days**

**Weight 250 Lbs**